

6

5

4

3

2

1

D

D

C

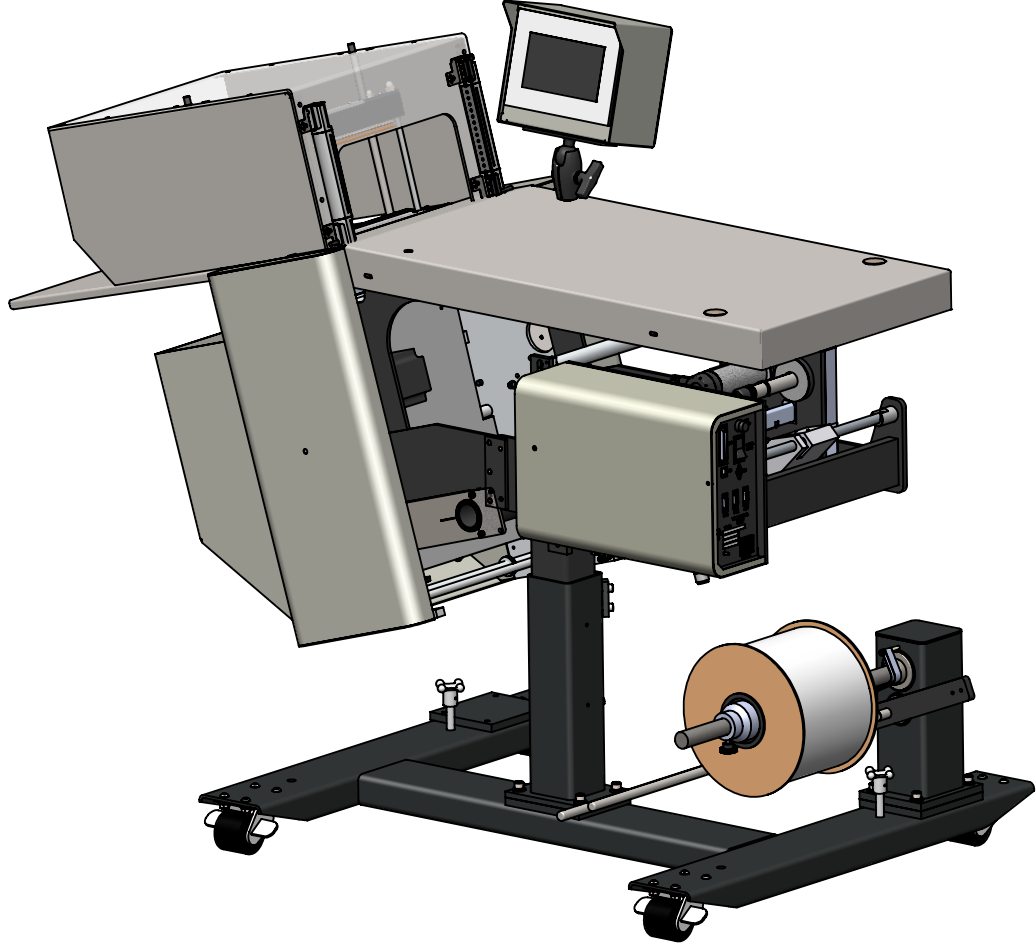
C


B

B

A

A



<p>PROPRIETARY AND CONFIDENTIAL</p> <p>THE INFORMATION CONTAINED IN THIS DRAWING IS THE SOLE PROPERTY OF Advanced Poly-Packaging, Inc. ANY REPRODUCTION IN PART OR AS A WHOLE WITHOUT THE WRITTEN PERMISSION OF APPI IS PROHIBITED.</p>		 <p>1331 Emmitt Road • Akron, OH 44306 • 1-800-754-4403 • fax 330-785-4010 • www.advancedpoly.com</p>	
<p>DESIGNED BY:</p>		<p>DESCRIPTION:</p> <p style="text-align: center;">T-1000 HI</p>	
<p>DATE:</p>		<p>SIZE:</p> <p style="font-size: 2em;">A</p>	<p>DWG. NO:</p> <p style="font-size: 2em;">32133</p>
<p>APPROVED:</p> <p style="text-align: right;"><i>Stuart Baker</i></p>		<p>REVISION:</p> <p style="font-size: 2em;">A</p>	<p>REV:</p>
<p>PROJECT:</p> <p style="text-align: center;">WO# 186535</p>		<p>SCALE:</p> <p style="text-align: center;">1:12</p>	<p>WEIGHT:</p> <p style="text-align: center;">#</p>
		<p>SHEET:</p> <p style="text-align: center;">1 - 3</p>	

6

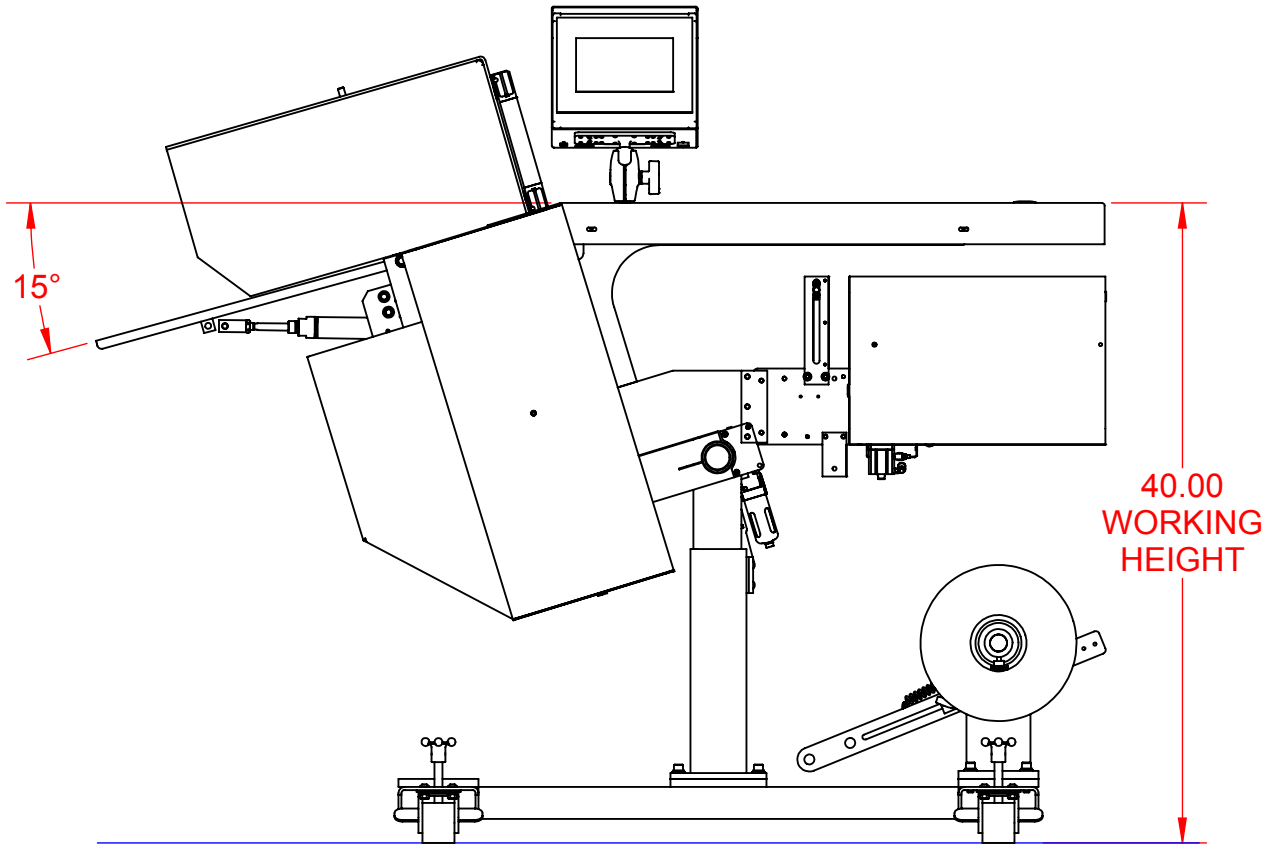
5


4

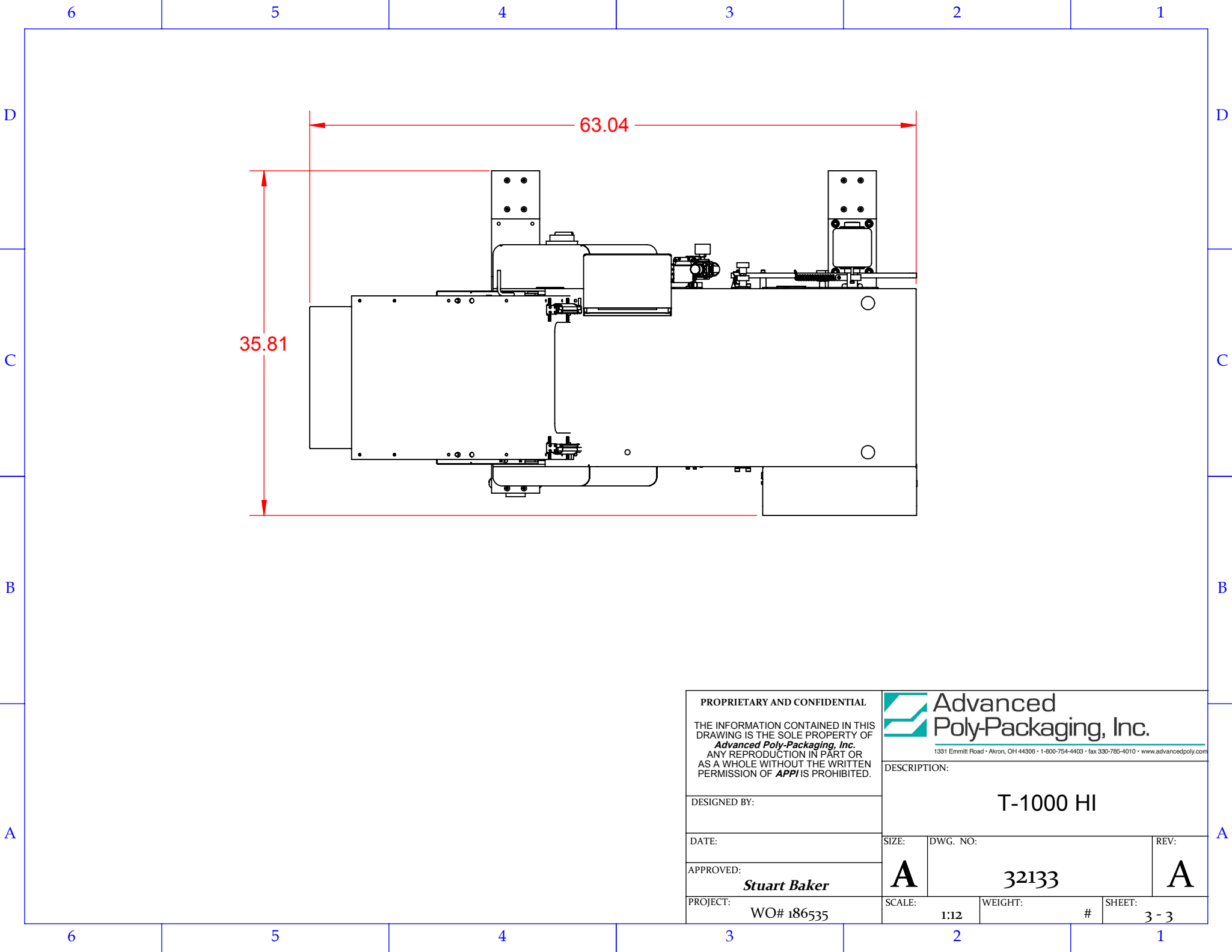
3


2

1



PROPRIETARY AND CONFIDENTIAL THE INFORMATION CONTAINED IN THIS DRAWING IS THE SOLE PROPERTY OF Advanced Poly-Packaging, Inc. <small>ANY REPRODUCTION IN PART OR AS A WHOLE WITHOUT THE WRITTEN PERMISSION OF APPI IS PROHIBITED.</small>		 Advanced Poly-Packaging, Inc. <small>1331 Emmitt Road • Akron, OH 44306 • 1-800-754-4403 • fax 330-785-4010 • www.advancedpoly.com</small>	
DESIGNED BY:		DESCRIPTION: <h3>T-1000 HI</h3>	
DATE:	APPROVED: Stuart Baker	SIZE: A	DWG. NO: 32133
PROJECT: WO# 186535	SCALE: 1:12	WEIGHT: #	REV: A SHEET: 2 - 3



PROPRIETARY AND CONFIDENTIAL THE INFORMATION CONTAINED IN THIS DRAWING IS THE SOLE PROPERTY OF Advanced Poly-Packaging, Inc. ANY REPRODUCTION IN PART OR AS A WHOLE WITHOUT THE WRITTEN PERMISSION OF APPI IS PROHIBITED.		 <small>1331 Emmitt Road • Akron, OH 44306 • 1-800-754-4403 • fax 330-785-4010 • www.advancedpoly.com</small>	
DESIGNED BY:		DESCRIPTION: <h3 style="text-align: center;">T-1000 HI</h3>	
DATE:	APPROVED: <i>Stuart Baker</i>	SIZE: A	DWG. NO: 32133
PROJECT: WO# 186535	SCALE: 1:12	WEIGHT: #	REV: A SHEET: 3 - 3