

6

5

4

3

2

1

D

D

C

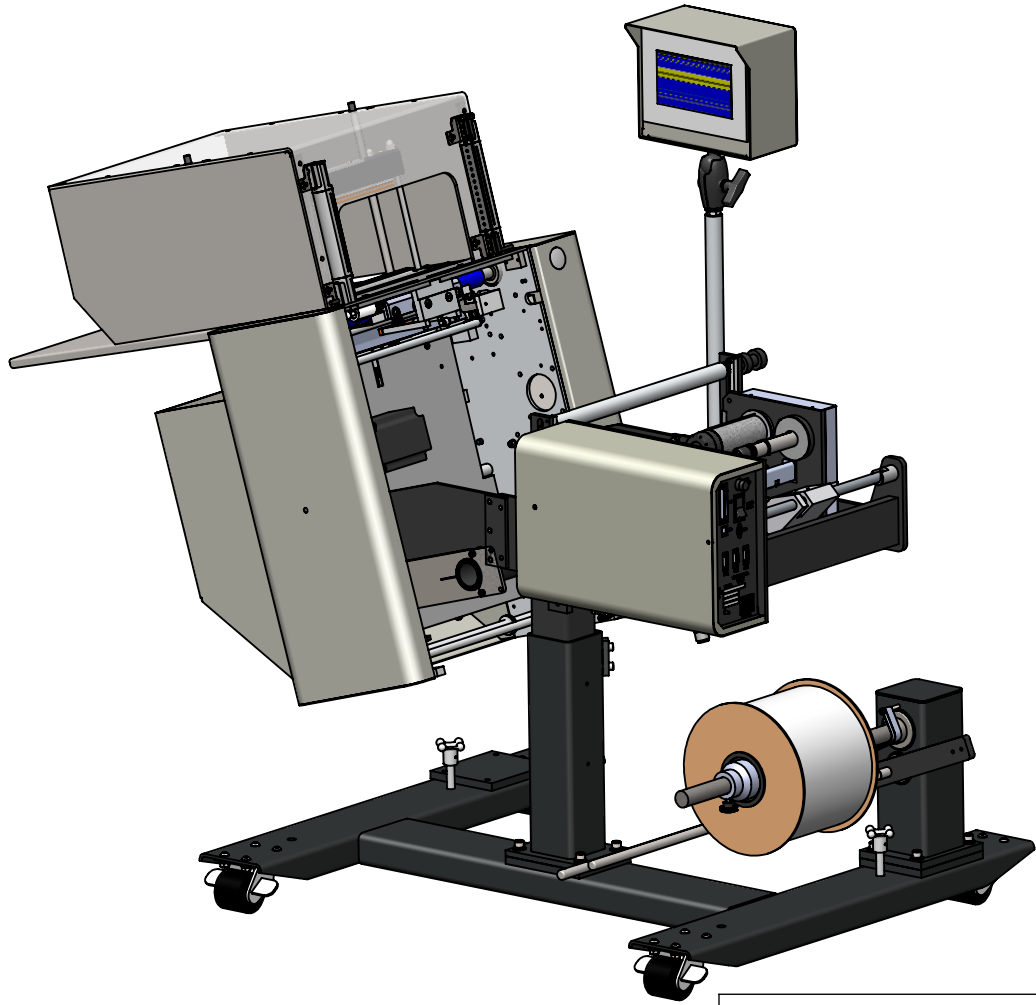
C


B

B

A

A



<p><b>PROPRIETARY AND CONFIDENTIAL</b></p> <p>THE INFORMATION CONTAINED IN THIS DRAWING IS THE SOLE PROPERTY OF <b>Advanced Poly-Packaging, Inc.</b> ANY REPRODUCTION IN PART OR AS A WHOLE WITHOUT THE WRITTEN PERMISSION OF <b>APPI</b> IS PROHIBITED.</p>		 <p>1331 Emmitt Road • Akron, OH 44306 • 1-800-754-4403 • fax 330-785-4010 • www.advancedpoly.com</p>		
<p>DESIGNED BY:</p>		<p>DESCRIPTION:</p> <p style="text-align: center;"><b>T-1000 HI</b></p>		
<p>DATE:</p>		<p>SIZE: <b>A</b></p>	<p>DWG. NO: <b>32133-1</b></p>	<p>REV: <b>A</b></p>
<p>APPROVED:</p> <p style="text-align: center;"><i>Stuart Baker</i></p>		<p>SCALE: <b>1:12</b></p>	<p>WEIGHT: #</p>	<p>SHEET: <b>1 - 3</b></p>
<p>PROJECT: <b>WO# 186535</b></p>				

6

5

4

3

2

1

6

5

4

3

2

1

D

D

C

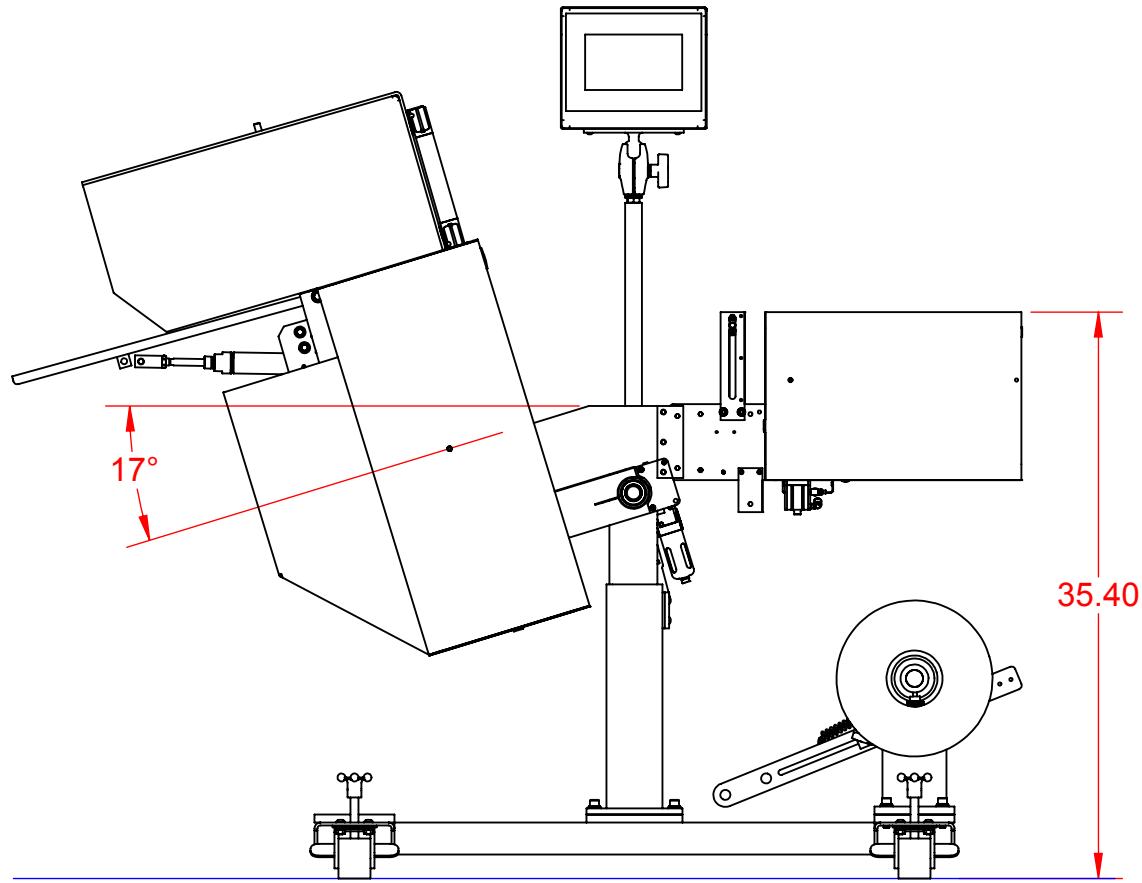
C

B

B

A

A



<p><b>PROPRIETARY AND CONFIDENTIAL</b></p> <p>THE INFORMATION CONTAINED IN THIS DRAWING IS THE SOLE PROPERTY OF <b>Advanced Poly-Packaging, Inc.</b> ANY REPRODUCTION IN PART OR AS A WHOLE WITHOUT THE WRITTEN PERMISSION OF <b>APPI</b> IS PROHIBITED.</p>		<p>1331 Emmitt Road • Akron, OH 44306 • 1-800-754-4403 • fax 330-785-4010 • www.advancedpoly.com</p>		
<p>DESIGNED BY:</p>		<p>DESCRIPTION:</p> <p style="text-align: center;"><b>T-1000 HI</b></p>		
<p>DATE:</p>		<p>SIZE: <b>A</b></p>	<p>DWG. NO: <b>32133-1</b></p>	<p>REV: <b>A</b></p>
<p>APPROVED:</p> <p style="text-align: center;"><i>Stuart Baker</i></p>		<p>SCALE: <b>1:12</b></p>	<p>WEIGHT: #</p>	<p>SHEET: <b>2 - 3</b></p>
<p>PROJECT: <b>WO# 186535</b></p>				

6

5

4

3

2

1

6

5

4

3

2

1

D

D

C

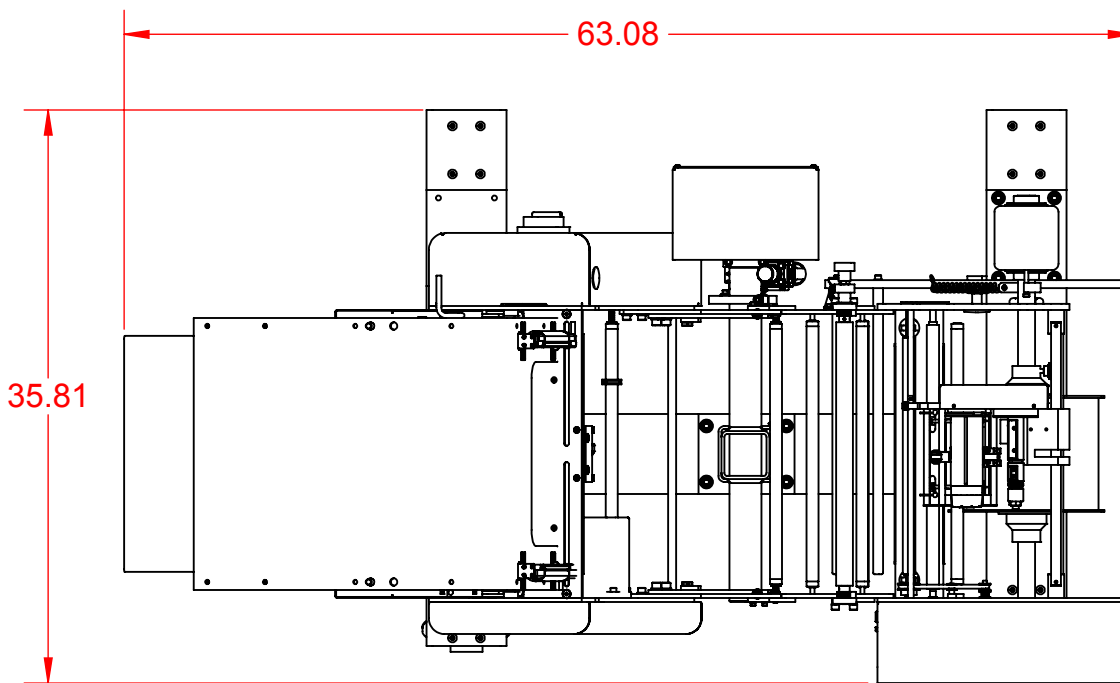
C


B

B

A

A



<b>PROPRIETARY AND CONFIDENTIAL</b> THE INFORMATION CONTAINED IN THIS DRAWING IS THE SOLE PROPERTY OF <b>Advanced Poly-Packaging, Inc.</b> ANY REPRODUCTION IN PART OR AS A WHOLE WITHOUT THE WRITTEN PERMISSION OF <b>APPI</b> IS PROHIBITED.		 <small>1331 Emmitt Road • Akron, OH 44306 • 1-800-754-4403 • fax 330-785-4010 • www.advancedpoly.com</small>	
DESIGNED BY:		<b>T-1000 HI</b>	
DATE:		SIZE:	DWG. NO:
APPROVED:		<b>A</b>	<b>32133-1</b>
PROJECT:		SCALE:	WEIGHT:
<b>WO# 186535</b>		<b>1:12</b>	#
		SHEET:	<b>3 - 3</b>

6

5

4

3

2

1